



AUTOMATIC PACKAGING ROLLS

High-quality paper rolls for **industrial usage**

High-quality and sustainable **presentation of the product**



- ▶ **Sustainable** and **excellent flexo printing** with up to 11 water-based and solvent-free colours
- ▶ Suitable for VFFS and Flowpacking
- ▶ All **paper qualities** up to 180 g/m²
- ▶ Motifs with up to **125 cm print width** and **130 cm roll diameter**
- ▶ No colour abrasion thanks to **protective varnish**
- ▶ Application of **heat-sealing** or **barrier coatings**

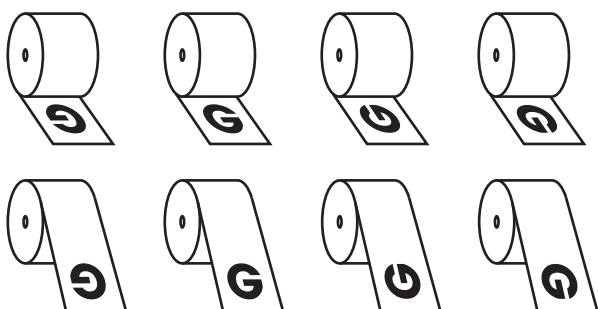


Efficient handling

during packaging and processing

- ▶ Customized **control over friction and slip behavior** thanks to anti-slip varnish (for friction control)

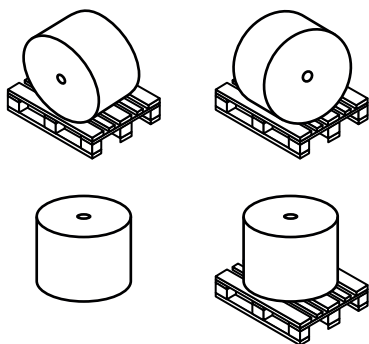
- ▶ Flexible **printing direction**

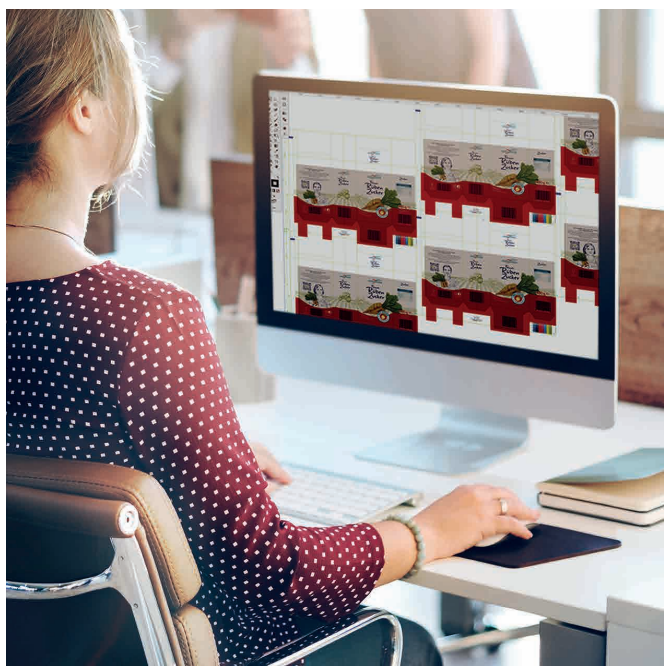


- ▶ Precise **edge-straight rewinding** of the roll

- ▶ **Transport protection on pallet** according to customer requirements, e.g. with strapping and paper wedges or cores

- ▶ Shipped and packed on pallette **according to customer requirements**





Technical **advice** and **service**

- ▶ Professional advice from our experienced **printing** and **packaging specialists**
- ▶ Realisation of **repro** and **pre-press**
- ▶ **Fast** and **reliable** delivery from our production site in Germany

We print the machine rolls according to your wishes and are happy to advise you!

Highest **hygiene certification** and focus on **sustainability**

Sedex Member



WEBER Verpackungen GmbH & Co. KG

Westerhaar 38
58739 Wickede/Ruhr - Germany

Tel. +49 2377 / 80 99 - 22

E-Mail sales@weberverpackungen.de

weberverpackungen.de

We are happy to support you in presenting your products in a more sustainable, innovative and attractive way. We look forward to your inquiry and will be happy to advise you.